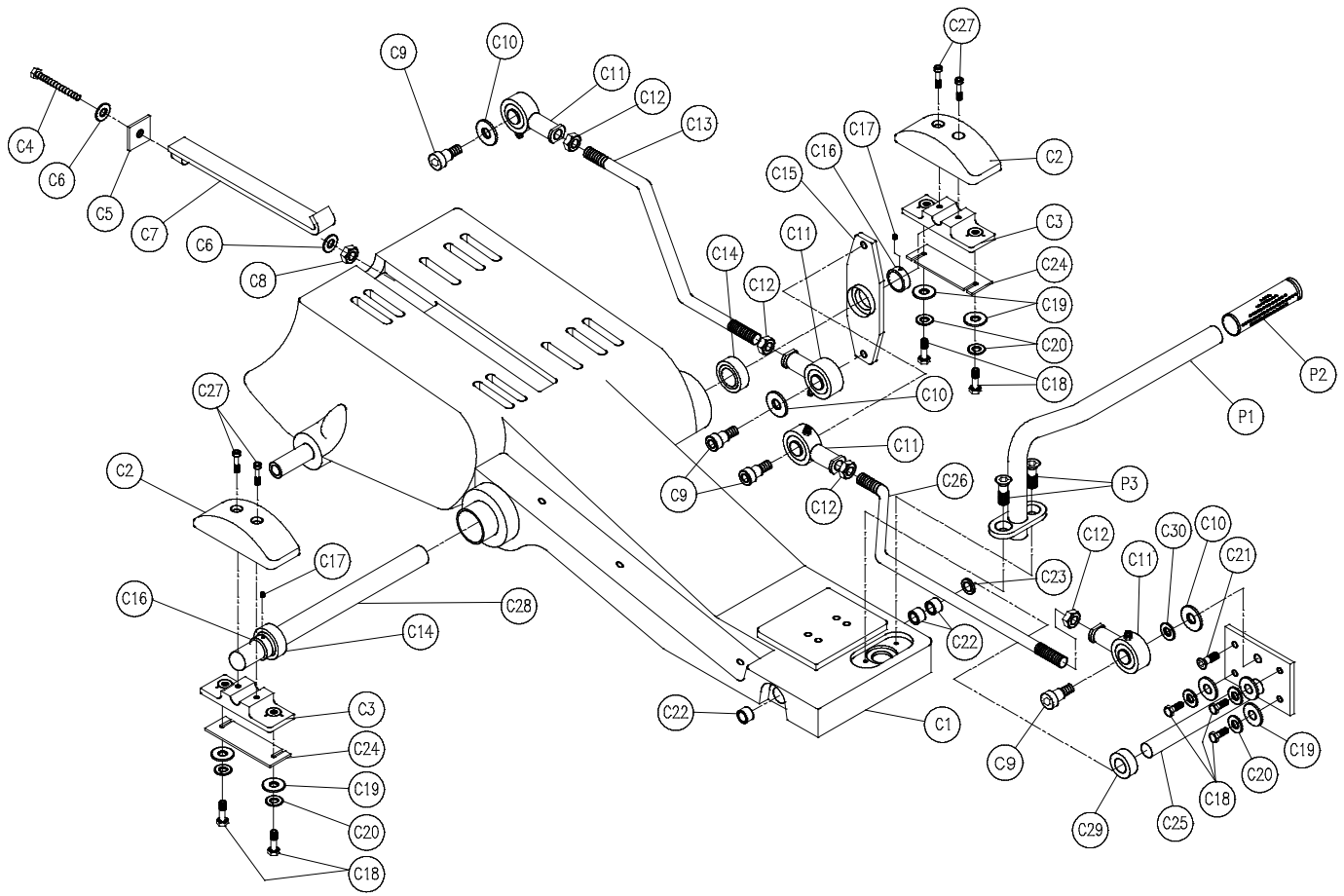
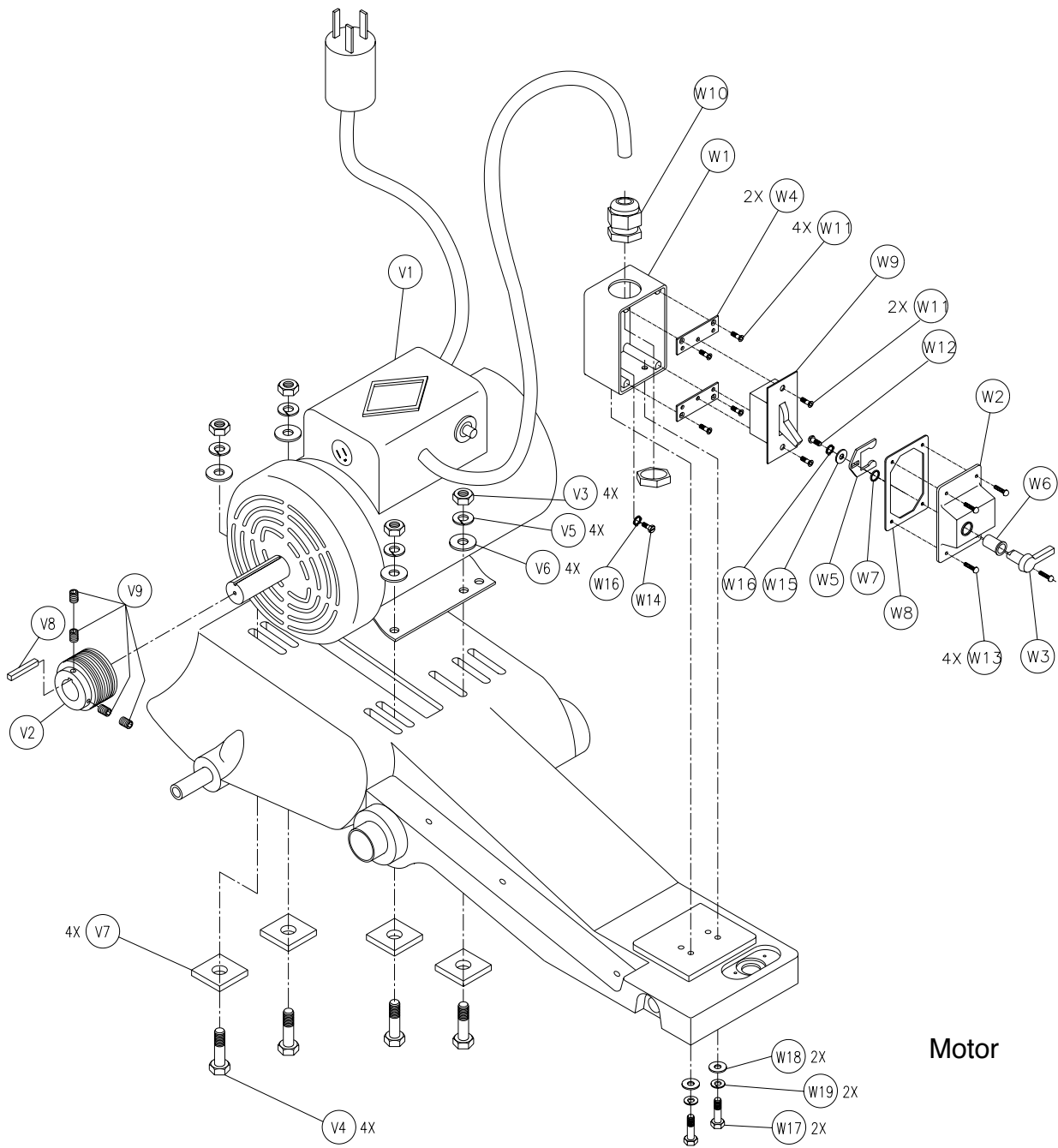


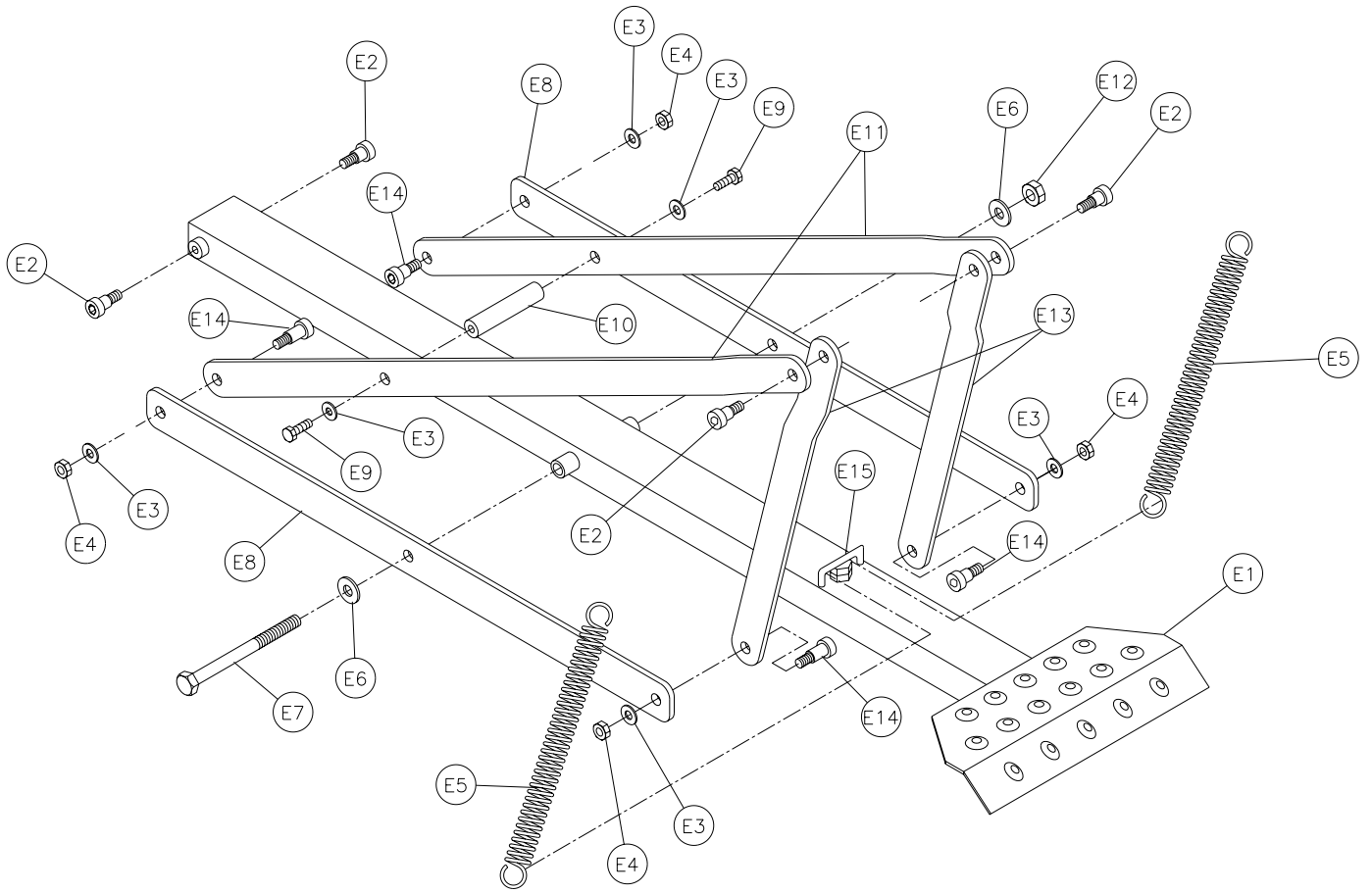
Frame



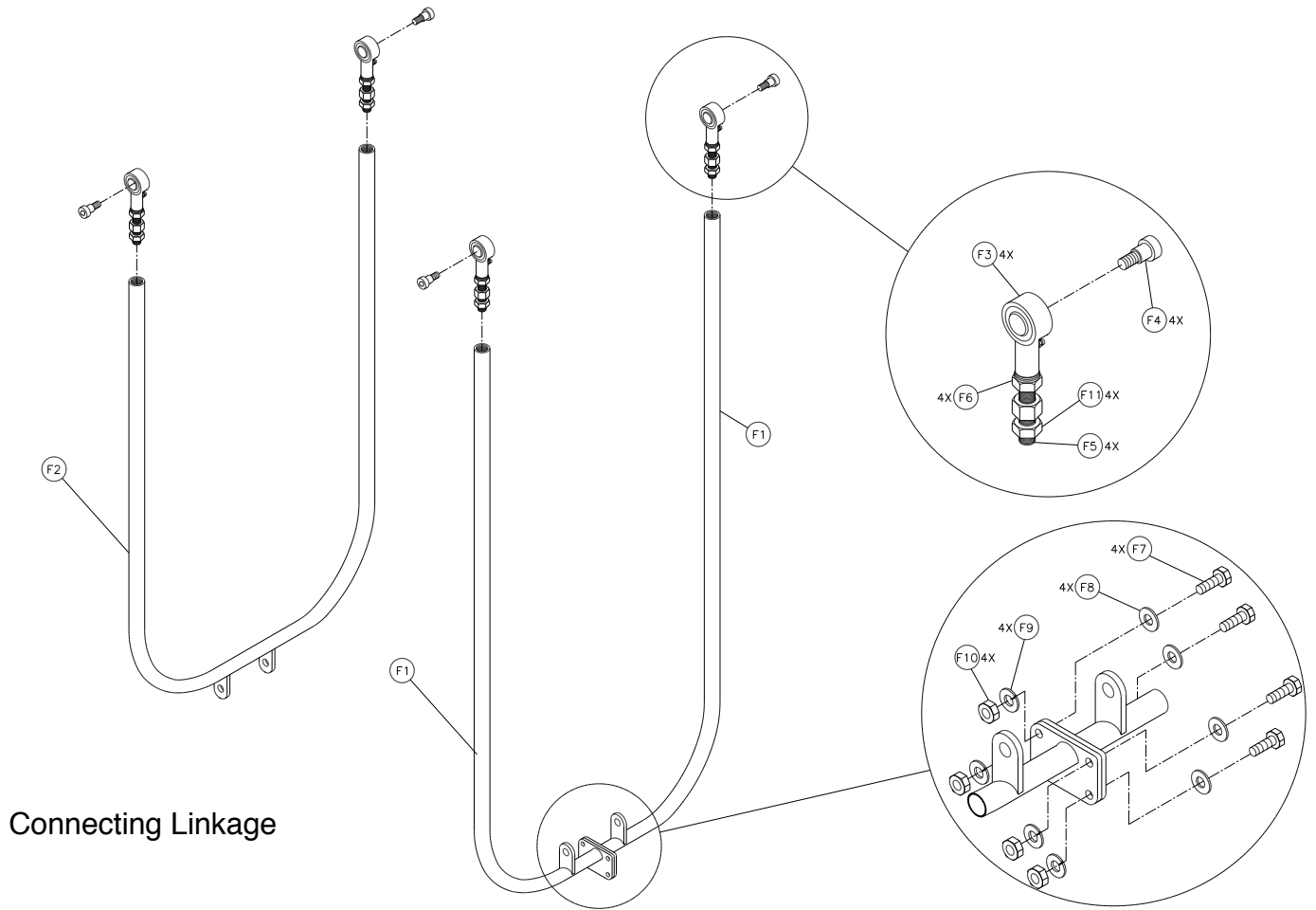
Cutting Head

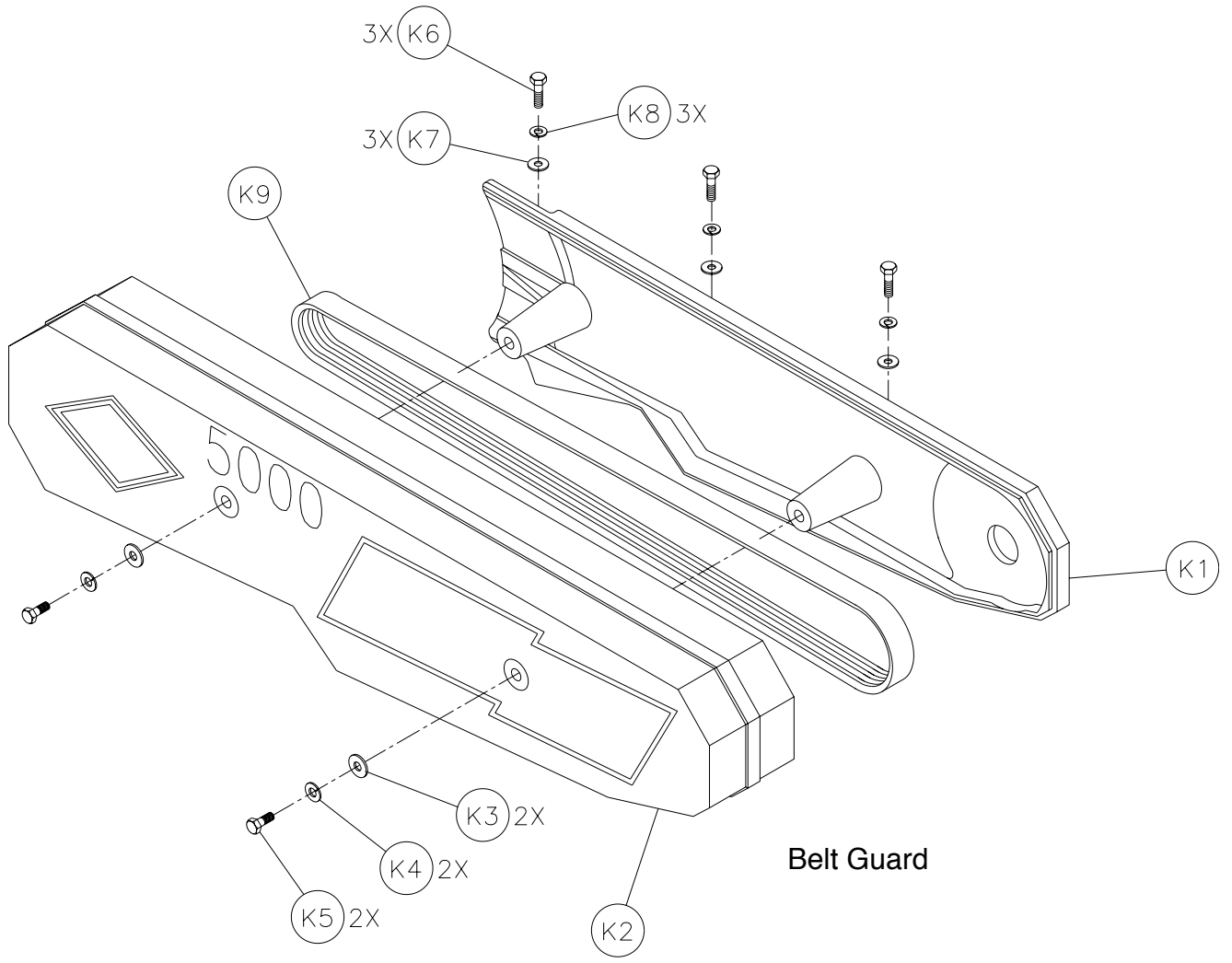


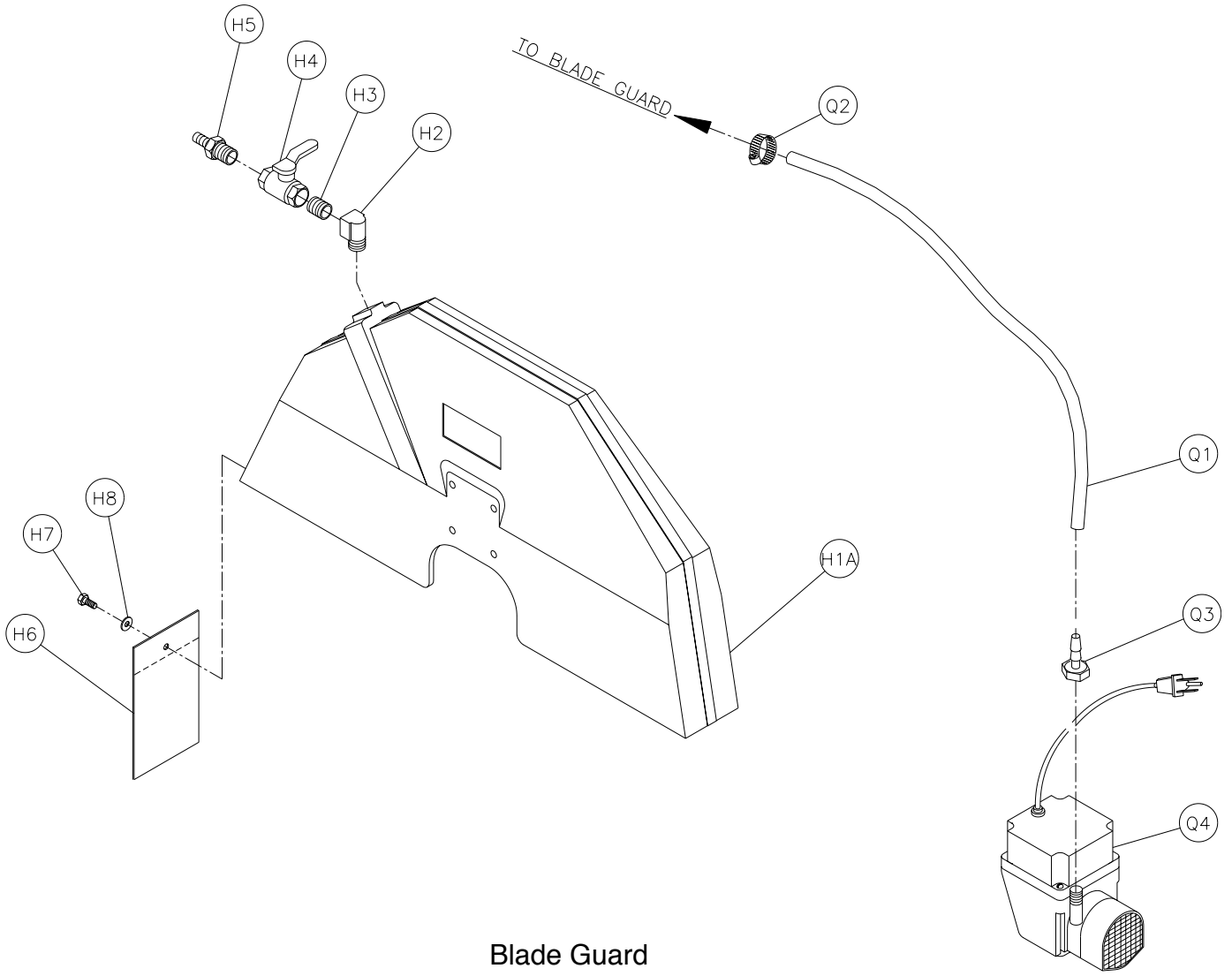
Motor

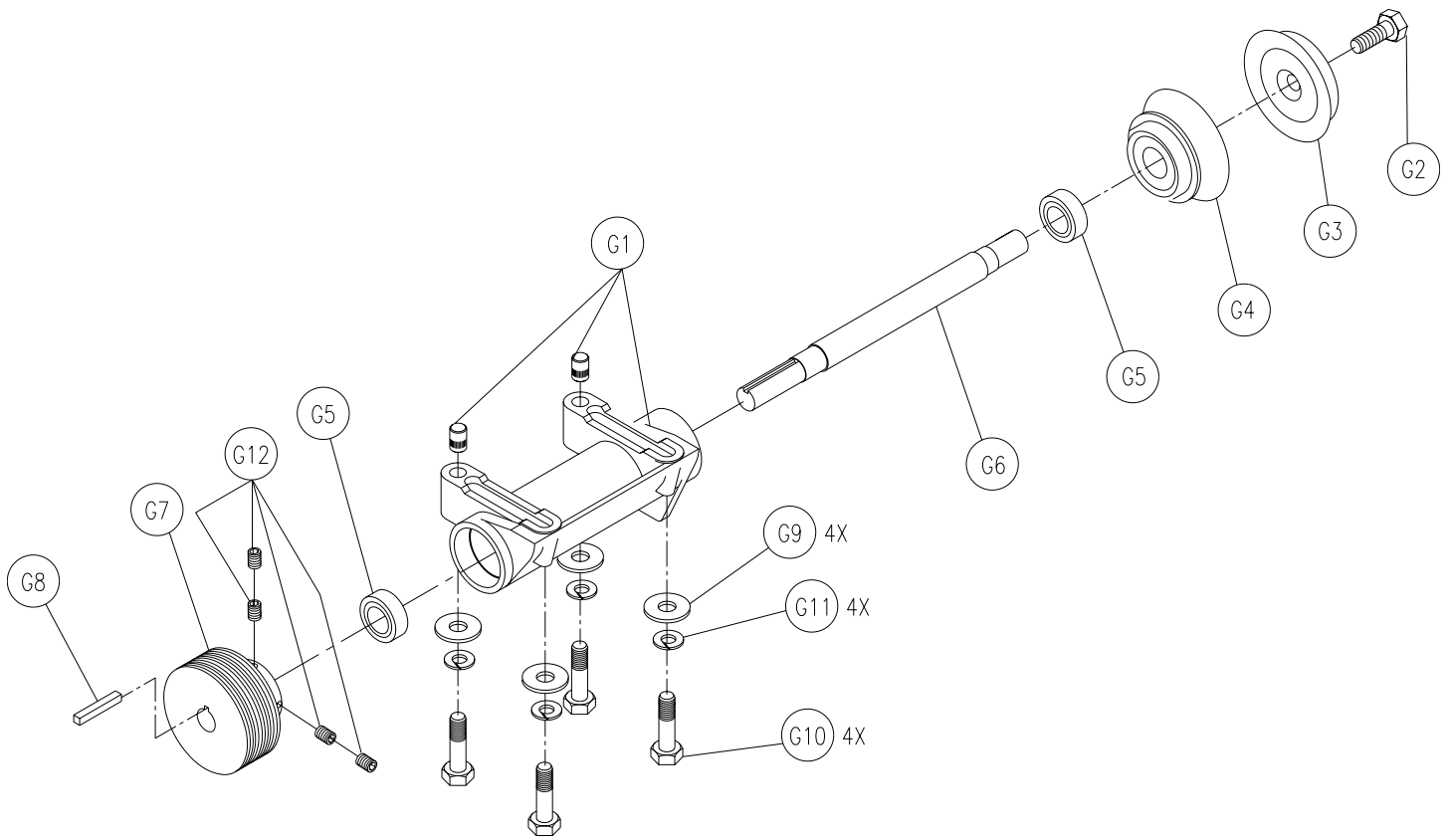


Foot Pedal Linkage

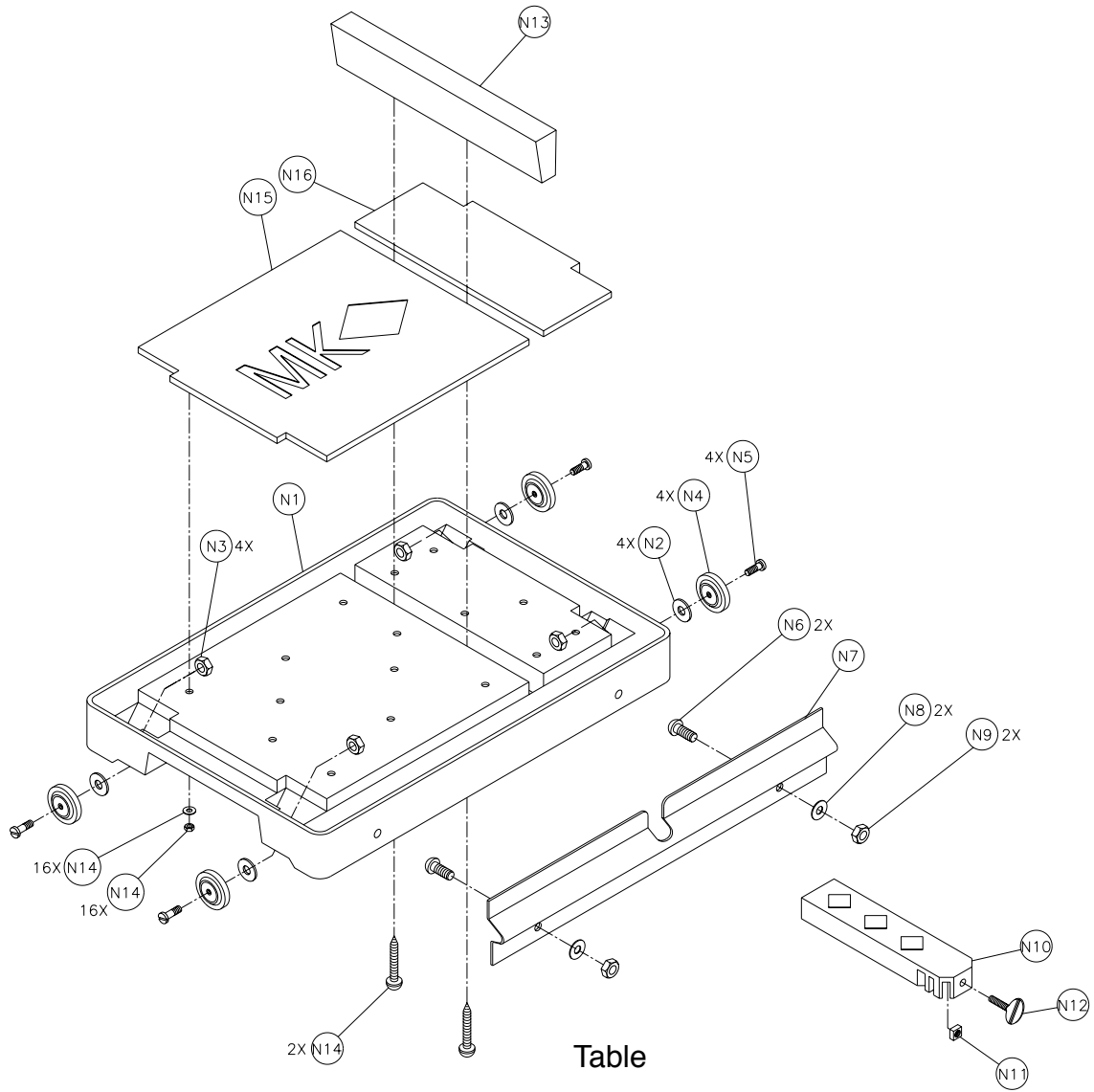


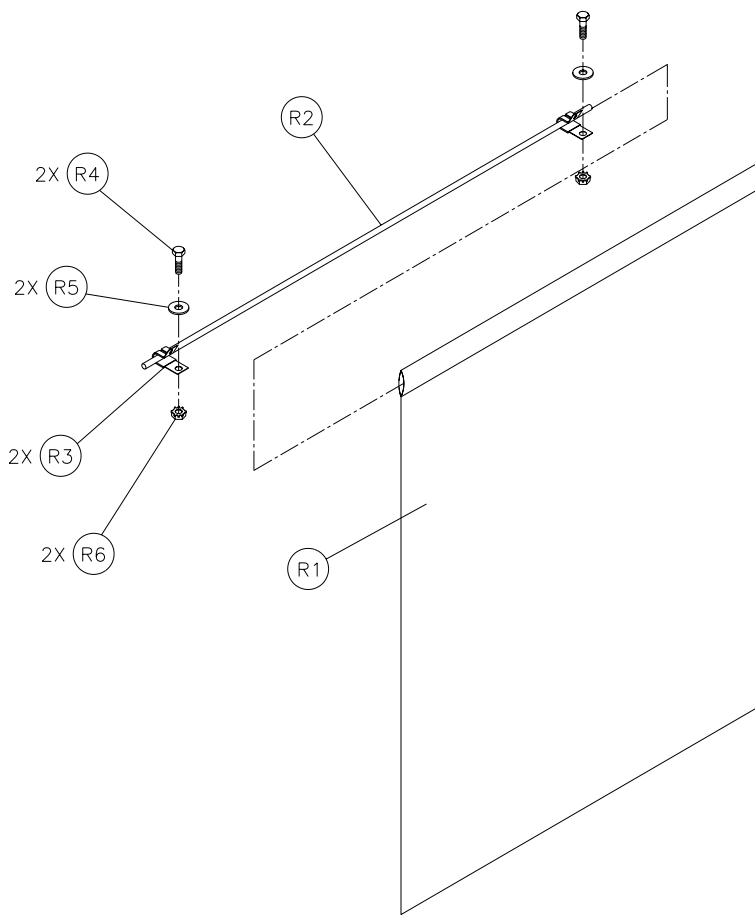




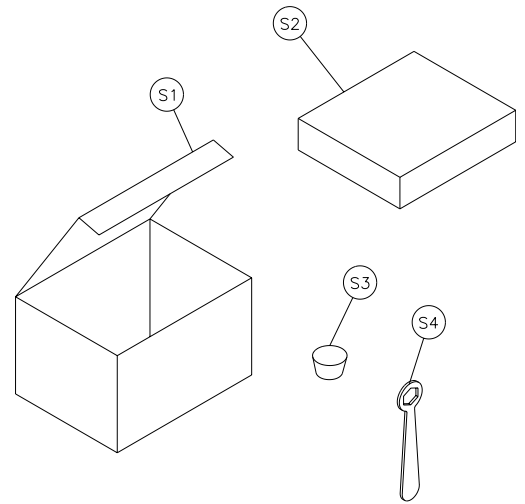


Arbor Shaft





Curtain



Accessories

Item	Description	Qty	Part #
A	Frames	-	-
A1	Frame, MK-5000 Main	1	155541
B	Pivot Bracket	-	-
B1	Bracket, Elevation Pivot	1	156285
B2	Washer, 3/8 ID x 1-1/2 OD, Fender Washer	2	158523
B3	Screw, 1/4-20 x 1/2 Hex Head	2	152608
B4	Screw, 3/8-16 x 3/4 Hex Head	2	153527
B5	Bumper, 1/4 ID x 1-1/2 OD x 3/4	2	154496
B6	Washer, 1/4 SAE Flat	2	151915
B7	Nut, 1/4-20 Hex	2	151893
B8	Fitting, Grease (zerk)	1	153852
B9	Bushing, 1 x 1-1/4 x 2 MIS	2	154571
B10	Shaft, Pivot Arm MK-5000	1	155880
B11	Screw, 1/4-20 x 1/4 Socket Head Set, Cone point	2	153864
C	Cutting Head MK-5000	-	-
C1A	Casting, Cutting Head (comp)	1	155783
C2	Cover, 5000 Mounting Block (Comp)	2	156265
C3	Casting, 5000, Mounting Block (Comp)	2	155762
C4	Bolt, 3/8- 16 x 4-1/2 Hex Head Tap	1	153110
C5	Washer, 1-1/4 x 1-1/4 Square	1	157567
C6	Washer, 3/8 SAE Flat	2	150923
C7	Strap, Motor Adjustment	1	153611
C8	Nut, 3/8- 16 UNC	1	101188
C9	Screw, 1/2 x 1/2 Socket Head Shoulder	4	151753
C10	Washer, 1/2 SAE Flat	3	150924
C11	Joint, 1/2- 20, Female Spherical (RH)	4	154387
C12	Nut, 1/2- 20 Jam (RH)	4	154460
C13	Arm, Rear Connecting	1	158563
C14	Bearing, Ball 5/8 ID x 1-3/8 OD	2	140004
C15	Crank, Bell	1	157426
C16	Collar, Stop 5/8 ID x 1-1/8 OD x 1/2	2	140012
C17	Screw, 5/16-18 x 1/4, Socket Head Set	2	152607
C18	Screw, 5/16 x 18 x 1, Hex HD Cap	7	151743
C19	Washer, 5/16 SAE Flat	7	151754
C20	Washer, 5/16 Split Lock	7	151747
C21	Screw, 5/16-18 x 1 Flat, Socket HD Cap	1	155552
C22	Bushing, .75 x .875 x 1 Steel	3	160826
C23	Washer, Nylon .75 x 1.25 x .093	2	160827
C24	Shim, Mount Pivot Shaft Various	2	155905
C25	Shaft, Blade Guard Pivot	1	155886
C26	Link Rod, Blade Guard	1	158564
C27	Screw, 1/4- 20 x 1 Socket Head Cap	4	151049

Item	Description	Qty	Part #
C28	Shaft, Cutting Head Pivot	1	154828
C29	Collar, 3/4 Set	1	153814
C30	Washer, 3/8 Split Lock	1	150925
D			
Depth Control		-	-
D1	Housing, Adjustment Shaft	1	152116
D2	Screw, 3/4- 6 x 10-7/8, Depth Control	1	150840
D3	Spacer, 3/4 ID x 1 OD x 3/4	1	156249
D4	Locknut, Feed Screw	1	158227
D5	Nut, 3/8- 16 Hex Hd.	4	101188
D6	Washer, 3/8 SAE Flat	4	150923
D7	Washer, 3/8 Split Lock	4	150925
D8	Bearing, Flange FC2-25 x 3/4 ID	1	152025
D9	Spacer , .76 ID x 1 OD x 1.187	1	156250
D10	Plate, Bearing Support	1	156278
D11	Screw, 3/8-16 X 1/2 Socket Head Set, cup point	1	153710
D12	Wheel, Depth Control (comp)	1	153646
D13	Knob, Ball, 2", 3/8-16 Insert	1	158519
D15	Screw, 1/2 x 3/4 Socket Head Shoulder	1	156177
D16	Bumper, 1-1/2 Dia. x 1/2- 13 x 3 Stud	2	158605
D17	Nut, 1/2- 13 Hex	2	151282
D18	Fitting, Grease	2	153852
E			
Footpedal Linkage		-	-
E1	Footpedal and Bar, 5000 Block Saw	1	160139
E2	Screw, 1/2 x 1/2 Socket Head Shoulder	4	151753
E3	Washer, 3/8 SAE Flat	6	150923
E4	Nut, 3/8-16 Center Lock	4	153522
E5	Spring, Footpedal	2	152115
E6	Washer, 1/2 SAE Flat	2	150924
E7	Screw, 1/2-13 x 5-1/2 Hex Head Cap	1	158526
E8	Linkage, Pedal Horizontal	2	152112
E9	Screw, 3/8- 16 x 1 Hex Head Cap	2	152507
E10	Pedal, Shaft Tie	1	156259
E11	Linkage, Pedal Diagonal	2	152113
E12	Nut, 1/2- 13 Center Lock	1	156238
E13	Linkage, Pedal Vertical	2	152114
E14	Screw, 1/2 x 3/4 Socket Head Shoulder	4	156177
E15	Hook Bolt, Weldment, 5000 Block Saw	1	160141
F			
Connecting Linkage		-	-
F1	Link, Front Connecting	2	156253
F2	Link, Rear Connecting	1	156252
F3	Joint, 1/2- 20 Female Spherical (RH)	4	154387

Item	Description	Qty	Part #
F4	Bolt, 1/2 x 1/2 Socket Head Shoulder	4	151753
F5	Screw, Adjustment	4	154433
F6	Nut, 1/2- 20 Jam	4	154460
F7	Bolt 5/16- 18 x 1 Hex HD	4	151743
F8	Washer, 5 /16 SAE Flat	4	151754
F9	Washer, 5/16 Split Lock	4	151747
F10	Nut, 5/16- 18, Hex HD	4	101196
F11	Nut, 1/2- 20 Jam (LH)	4	154461
G	Blade Shaft MK-5000	1	154636
G1	Casting, Blade Shaft MK-5000 (comp) Pin, Arbor Alignment	12	154637 153946
G2	Screw, 1/2- 20 x 1-1/4 Hex HD Cap	1	152122
G3	Flange, Blade Shaft Outer	1	132290
G4	Flange, Blade Shaft Inner	1	154640
G5	Bearing, Blade Shaft	2	154594
G6	Shaft, Blade 3/4 MK 5000	1	154639
G7	Pulley, 16J28X.75 Bore	1	160362
G8	Key, 3/16 x 3/16 x 1-1/8 Square	1	150344
G9	Washer, 5/16 SAE Flat	4	151754
G10	Screw, 5/16- 18 x 2-1/2, Hex HD	4	101675
G11	Washer, 5/16 Split Lock	4	151747
G12	Screw, 5/16- 18 x 3/16 Socket HD Set	4	151167
H	Blade Guard MK-5000	-	-
H1A	Casting, Blade Guard, MK-5000 (comp)20"	1	159674
H2	Elbow, 3/8 NPT 90 Brass Street	1	152074
H3	Nipple, 3/8 NPT x Close Brass	1	152073
H4	Valve, 3/8 Ball	1	152075
H5	Fitting, 3/8 MNPT x 3/8 BARB Brass	1	152076
H6	Guard, Splash	1	160310
H7	Screw, 1/4-20 x 5/8 Hex HD	1	150404
H8	Washer, 1/4 SAE Flat	1	151915
K	Belt Guard, Electric	-	-
K1	Casting, Belt Guard Inner (comp)	1	154634
K2	Casting, Belt Guard Outer (comp)	1	154635
K3	Washer, 3/8 SAE Flat	2	150923
K4	Washer, 3/8 Split Lock	2	150925
K5	Bolt, 3/8-16 x 2-1/2 Hex HD Tap	2	155589
K6	Bolt, 5/16-18 x 1-1/4 Hex HD Tap	3	151748
K7	Washer, 5/16 SAE Flat	3	151754
K8	Washer, 5/16, Split Lock	3	151747
K9	Belt, 16J610	1	156551

Item	Description	Qty	Part #
N	Assembly, 5000 Table	1	152124
N1	Casting, 5000 Table (comp)	1	152455
N2	Washer, 5/16 SAE Flat	4	151754
N3	Nut, 5/16-18 Hex	4	101196
N4	Wheel, Roller	4	152493
N5	Stud, Roller Wheel	4	152494
N6	Bolt, Carriage 7/16-14 x 1-1/4	2	152423
N7	Backstop, Rule Conveyor Cart	1	152126
N8	Washer, 7/16 Split Lock	2	152424
N9	Nut, 7/16-14 Hex	2	150922
N10	Casting, Squaring Arm (comp)	1	132332
N11	Nut, 5/16- 18 Square	1	151156
N12	Screw, Thumb, 5/16- 18 x 1-1/2	1	151155
N13	Wood Strip, Table Insert 5000	1	157748
N14	Screw, #6 X 1 Bugle Head Phillips Drywall	2	159906
N15	Mat, 5000 Table (large)	1	160165
N16	Mat, 5000 Table (small)	1	160166
N17	Nut, 1/4-20 Nylock	16	159857
N18	Washer, 3/8 SAE Flat	16	150923
P	Handles	-	-
P1A	Handle, Cutting Head 20"	1	155851
P2	Handgrip, 7/8"	1	139949
P3	Screw, 3/8- 16 x 1 Flat Socket HD Cap	2	154019
Q	Water Pump, Electric	-	-
Q1	Hose, Vinyl 1/2 ID x 3/4 OD x 6'	1	150845
Q2	Clamp, Hose 5/8	1	151198
Q3	Adapter 1/4 x 1/4 Pump TPF-22	1	128397
Q4A	Pump, 300GPH, 115V 60Hz	1	160509
R	Curtain	-	-
R1	Curtain, Splash, MK-500	1	160764
R2	Rod, Splash Curtain	1	160711
R3	Clamp, Cushion Loop	2	152592
R4	Screw, 1/4 - 20 x 3.4 Hex HD	2	152370
R5	Washer, 1/4 Flat SAE	2	151915
R6	Nut, Hex, Dep 1/4 - 20	2	153941

Item	Description	Qty	Part #
S	Accessory Pack	-	-
S1	Carton, Accessory Pack MK-5000	1	152432
S2	Insert, Accessory Pack MK-5000	1	152433
S3	Plug, Rubber Drain	1	153439
S4	Wrench, Masonry Saw	1	134056
S5	MK-5005S Owners Manual	1	158769
S6	Blade, MK-799DE	1	158237
T	Carton	-	-
T1	Carton, 5000	1	152994
T2	Pallet, 5000	1	152072
V	Motors	-	-
V1A	Motor, 5Hp, 208-230V, 60Hz, 1ph	1	159472
V2B	Pulley, 16J31 X 1.125 Bore	1	160412
V3	Nut, 3/8- 16 Hex	4	101188
V4	Screw, 3/8- 16 x 1-3/4 Hex Head Cap	4	150920
V5	Washer, 3/8 Split Lock	4	150925
V6	Washer, 3/8 SAE Flat	4	150923
V7	Washer, Sq. 1-1/4 x 1-1/4	4	157567
V8	Key, 1/4 x 1/4 x 1-3/4 Square	1	150796
V9	Screw, 5/16- 18 x 3/16 Socket HD Set	4	151167
W	Switch, Electrical, Single Phase	-	-
W1	Box, Elec, Top, 1-1/2, (Comp)	1	160870
W2	Cover, 30A Switch Box (Comp)	1	159539
W3	Lever, Actuator, 30A Switch Box (Comp)	1	159540
W4	Plate, Mounting, 30A Switch	2	159489
W5	Lever, On/Off, 30A Switch Box	1	159490
W6	Bushing, Nylon, 30A Switch Box	1	158799
W7	Seal, Urethane, 30A Switch Box	1	159492
W8	Gasket, 30A Switch Box	1	159491
W9	Switch, 30A/2HP/120V/DPST	1	159488
W10	Connector, Cord LTF 29	1	160689
W11	Screw, 6-32 X 5/16 Flat Head Phillips Machine	6	159493
W12	Screw, 10-24 X 1/4 Pan Head Phillips Machine	1	159494
W13	Screw, 6-32 X 5/8 Pan Head Phillips Machine	4	157393
W14	Screw, 10-24 X 5/16 Slotted Hex Washer Head Grounding	1	159597
W15	Washer, #10 SAE Flat	1	154369